

Push-Pull Type Toggle Clamps

Stainless Steel, Horizontal Operating Lever, for Push Clamping

SPECIFICATION

Types

- Type **ASX**: Without locking mechanism
- Type **ASLX**: With locking mechanism

Tensioning mechanism

Stainless steel **NI**

- Sheet metal parts **AISI 304**
- Plunger **AISI 303**
- Bearing pins (bearing rivets) **AISI 304**
- Moving parts lubricated with special grease

Handle

Plastic
Red, oil resistant



INFORMATION

Push-pull type toggle clamps GN 841.3 can be used in applications requiring very high clamping forces. In the clamped position, the operating lever is in its horizontal position.

Type ASLX is securely locked while in the clamped position to prevent it from loosening by accident or due to vibrations. The lock can be released again with a single hand.

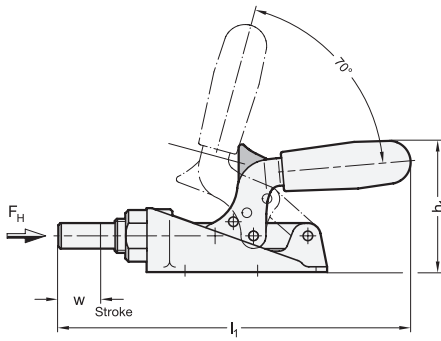


ACCESSORY

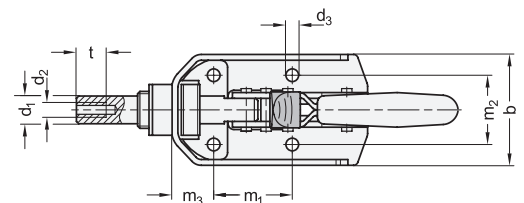
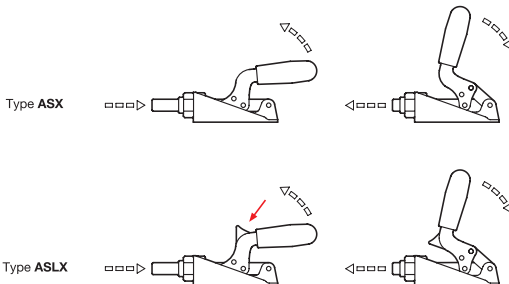
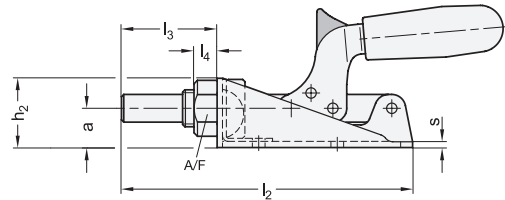
- GN 708.1 Clamping Screws (Rubber Thrust Pad) (see page 1625)
- GN 802 Clamping Screws (Steel Thrust Pad, Movable) (see page 1626)
- GN 804 Clamping Screws (Steel Spring Element, Adjustable) (see page 1623)

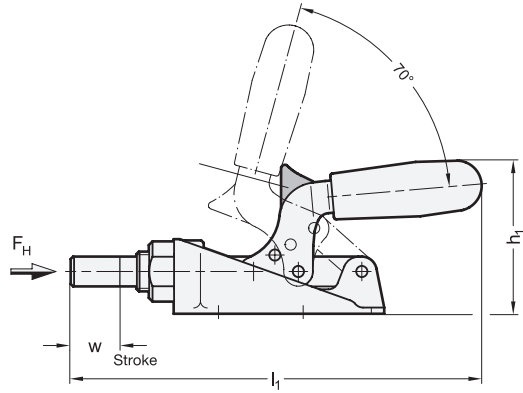
TECHNICAL INFORMATION

- General information for Toggle Clamps (see page 1560)
- Stainless Steel Characteristics (see page A26)

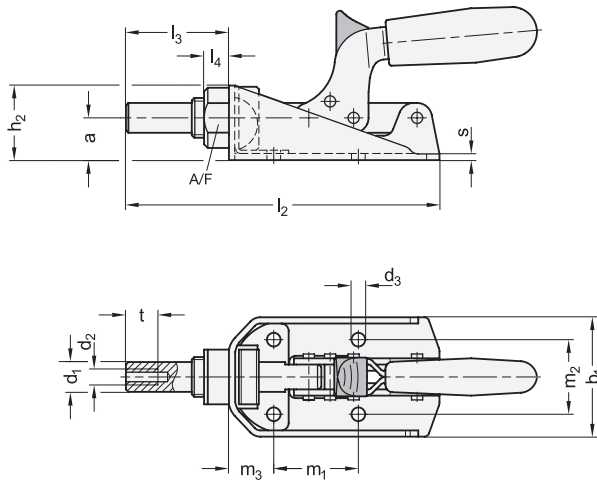
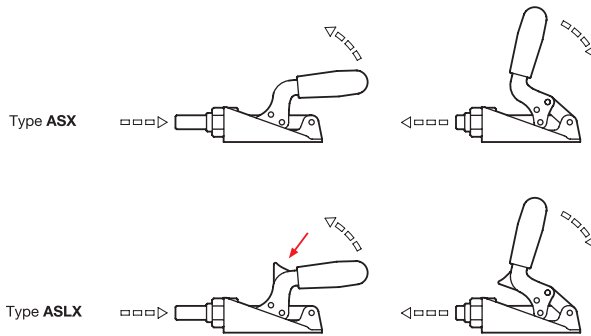


Operating principle





Operating principle



GN 841.3-ASX

STAINLESS STEEL

Description	Size	F _H in N	a	b	d ₁	d ₂	d ₃	h ₁ ≈	h ₂ ≈	l ₁	l ₂ ≈	l ₃	l ₄	m ₁	m ₂	m ₃	s	A/F	t	w stroke	⚖
GN 841.3-85-ASX-NI	85	4000	12.7	38	8	M 5	4.3	46	22.5	112	98	31.5	8	24	24	12	2	16	10	15	142
GN 841.3-125-ASX-NI	125	5200	17	48	12	M 6	5.5	62	30	165	126	41	10	34	30	18	2.5	22	12	19	343
GN 841.3-305-ASX-NI	305	6750	20	58	14	M 8	6.5	74	36	197	158	53	12	50	50	18	3	24	16	25	615

GN 841.3-ASLX

STAINLESS STEEL

Description	Size	F _H in N	a	b	d ₁	d ₂	d ₃	h ₁ ≈	h ₂ ≈	l ₁	l ₂ ≈	l ₃	l ₄	m ₁	m ₂	m ₃	s	A/F	t	w stroke	⚖
GN 841.3-85-ASLX-NI	85	4000	12.7	38	8	M 5	4.3	46	22.5	112	98	31.5	8	24	24	12	2	16	10	15	146
GN 841.3-125-ASLX-NI	125	5200	17	48	12	M 6	5.5	62	30	165	126	41	10	34	30	18	2.5	22	12	19	352
GN 841.3-305-ASLX-NI	305	6750	20	58	14	M 8	6.5	74	36	197	158	53	12	50	50	18	3	24	16	25	620

